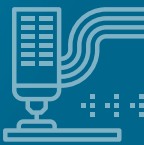
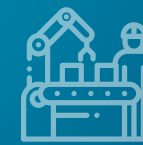
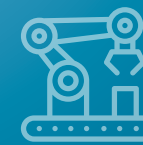
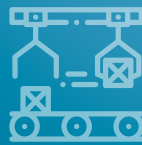
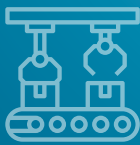




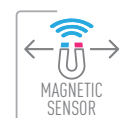
SUPERIOR
PERFORMANCE
IN ANY MISSION



PGA-A Series
ANGLE GRIPPERS
Ø10 - Ø25

ONE BRAND, COMPLETE SOLUTIONS
IN PNEUMATIC AUTOMATION

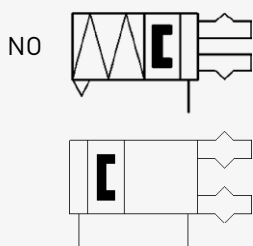




PGA-A Series

Ø10 - Ø25

ANGLE GRIPPERS



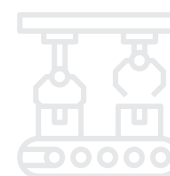
- OPTIMUM PRICE HIGH PERFORMANCE
- SOLID BODY STRUCTURE
- LOW CAVITY STEEL FINGERS
- SPEED ADJUSTMENT WITH BUILT-IN THROTTLE ON THE BODY
- READY MOUNTING HOLES ON THREE DIFFERENT SURFACES
- AIR CONNECTION HOLES ON ONE SURFACE FOR EASY AIR CONNECTION
- BOTH C CHANNEL AND T CHANNEL MAGNETIC SENSOR CAN BE INSTALLED
- SUITABLE FOR ALL HOLDING AND HANDLING APPLICATIONS

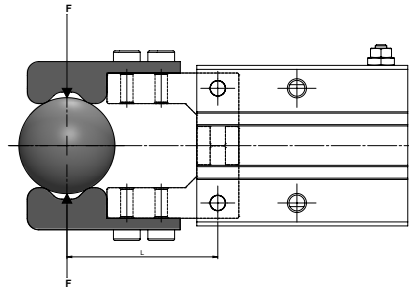
TECHNICAL INFORMATION

Product Size	10	16	20	25
Operating Temperature (°C)	-20°C .. + 80°C			
Working Fluid	Filtered (40 µm) and lubricated or filtered (40 µm) and non-lubricated air			
Operating Pressure	1,5-7 bar			1-7 bar
Operating Pressure (NO)	3-7 bar			2,5-7 bar
Frequency	Maximum 180 cycle/min			
Weight (g)	40	95	175	300

ORDER SAMPLE

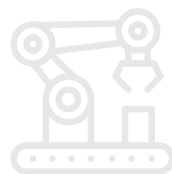
PGA-	A-	20	NO
Product code	A: Magnetic Magnetic is standard	Product Size	Function Null: Standard NO: Single acting





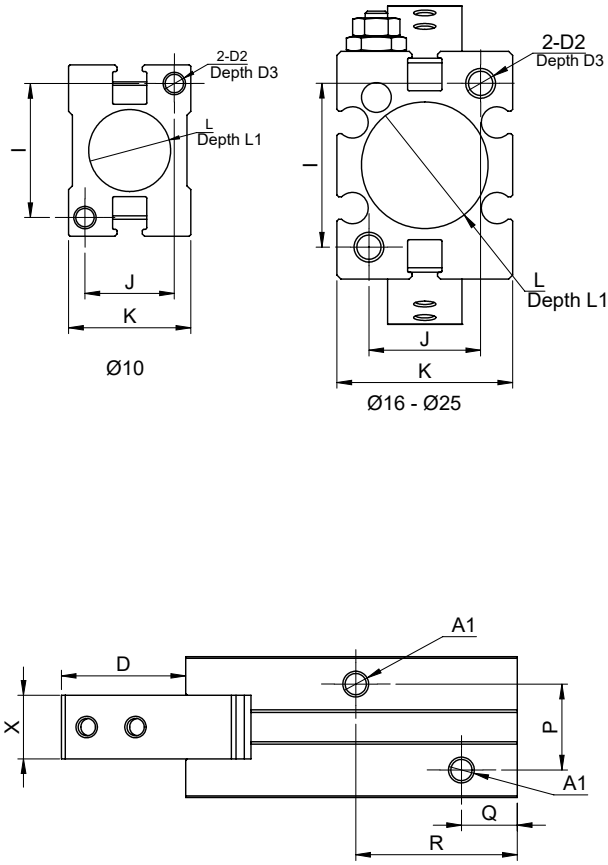
THEORETICAL CLAMPING MOMENT (N-cm)*								
Function	Product Code	Closure Clamping Moment	Open Clamping Moment	Open Angle	Closure Angle	"Maximum Gripping Point L (mm)"		
Standard	PGA-10	10,5	17,5	30° ₀	-10° ₃	30		
	PGA-16	54	77,5			40		
	PGA-20	91	151			60		
	PGA-25	182	284			70		
Single Acting (NO)	PGA-10-NO	7	-			30° ₀	-10° ₃	30
	PGA-16-NO	42,5	-					40
	PGA-20-NO	73	-					60
	PGA-25-NO	151	-					70

* Pressure: 6 bar

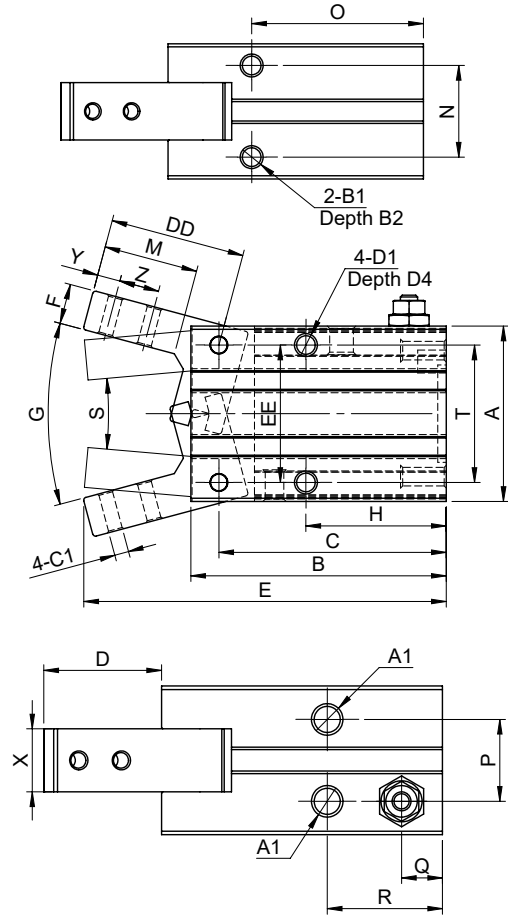




Ø10



Ø16 - Ø25



Cylinder Ø mm	A	A1	B	B1	B2	C	C1	D	DD	D1	D2	D3	D4	E	EE	F	G
10	23	M3x0.5	38.6	M3x0.5	6	35.8	M2.5x0.45	14.2	17.2	M3x0.5	M3x0.5	6	6	52.8	14	4	30
16	30.6	M5x0.8	44.6	M4x0.7	5.5	39.7	M3x0.5	18.9	23.6	M4x0.7	M4x0.7	8	9.5	63.5	24	7	30
20	42	M5x0.8	55.2	M5x0.8	8	49.7	M4x0.7	23.5	29	M5x0.8	M5x0.8	10	11.5	78.7	30	8	30
25	52	M5x0.8	60.4	M6x1.0	10	54.8	M5x0.8	32.8	38.5	M6x1.0	M6x1.0	12	14.5	93.2	36	10	30

Cylinder Ø mm	H	I	J	K	L	L1	M	N	O	P	Q	R	S	T	X	Y	Z
10	23	18	12	16.4	Ø11	1.5	12.5	11.4	27	10	6.5	18.8	10	16	7.4	3	5.7
16	24.5	22	15	23.6	Ø17	1.5	16.5	16	30	13	6.5	18.3	10	24	10	4	7
20	29	32	18	27.6	Ø21	1.5	20.5	18.6	35	15	7	22.2	10	30	12	5.2	9
25	30	40	22	33.6	Ø26	1.5	27.5	22	36.5	19.5	7.4	23.5	10	36	12	8	12



г. Казань, ул. А. Кутуя, д. 86Д тел: +7 800 500 48 89
www.pemaks.ru order@pemaks.ru